



– RELIABLE
WOOD
CHIPPING

TP 165^V MOBILE
STAGE

TP 175^V MOBILE
STAGE

TP 175^V TRACK

TECH SHEET

BIGGER, STRONGER, LIGHTER



DESIGNED

MANUFACTURED

DENMARK



TP 165_175^V MOBILE

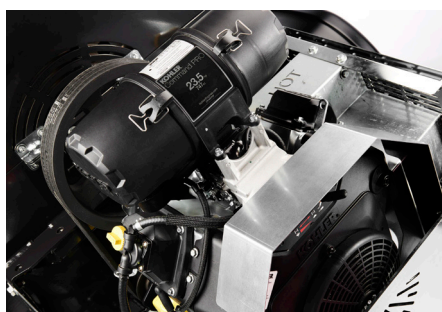
BIGGER, STRONGER, LIGHTER



HIGHLIGHTS 165_175 MOBILE

- Sub 750 kg mobile - diesel/gasoline
- TP Vario Spout height-adjustable spout
- TP Starter patented for easy and gentle start - prolongs engine lifetime (TP 175 MOBILE only)
- CLUTCH prolongs engine lifetime (TP 165 MOBILE P only)
- 1 tool - 2 blades - 3 minutes - easy and efficient change of knives
- TP Opticut - 2 displaced blades - less vibrations - optimised fuel consumption
- TP Twin Disc - double the discs - double the strength
- TP Pilot - no stress control
- TP Service Box - avoid down-time (option)
- TP 3 year warranty

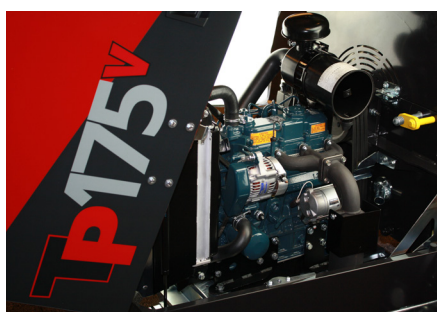
TP 165 MOBILE PETROL



KOHLER PRO CH 732

- 2-cylinder air-cooled petrol engine 23,5hp
- Low consumption
- Cheap to maintain
- Integrated oil-cooler
- Quick recovery times
- Emission Stage V
- 25l plastic tank

TP 175 MOBILE DIESEL



HIGH TORQUE KUBOTA ENGINE

- 3-cylinder water-cooled DIESEL engine 25hp
- Low consumption
- Cheap to maintain
- Emission stage V
- 20l plastic tank

TP 175 MOBILE P PETROL



POWERFUL VANGAARD EFI

- 2-cylinder air-cooled petrol engine with electronic ignition system 37hp
- Low consumption
- Cheap to maintain
- Integrated oil-cooler
- 15% less fuel consumption
- Quick recovery times
- Emission Stage V
- 20l plastic tank

TP 165_175^V MOBILE

BIGGER, STRONGER, LIGHTER



TP SERVICE BOX - TO KEEP YOU RUNNING SMOOTHLY

- Contains all of the critical wearing parts that are appropriate for each TP Wood Chipper. For example, knives, counterknives, scrapers, hydraulic filter and nuts and bolts
- With the box close at hand, you are always guaranteed optimum operation - even when you are out in the grounds, far from stores and workshops



175 mm



23,5 HP-petrol / 25 HP-diesel / 37 HP-petrol



4 - 12 mm



680 - 749 kg



TP STARTER® (TP 175 MOBILE ONLY)

- A patent clutch system
- Machine start-up by a simple turn of the key and a touch of the button
- Consists of automatic coupling and uncoupling of the belt and control of the engine rpm
- Ensures prolonged engine life-time



TP PILOT™ (No stress control)

- TP PILOT that automatically starts and stops the feed rollers based on the disc's rpm
- Ensures efficient work and extended lifetime
- Contains a time registration function



CLUTCH (TP 165 MOBILE P ONLY)

- Manual coupling and uncoupling of the belt
- Ensures prolonged engine life-time

SUB 750KG - COMPACT AND POWERFUL

- The 165_175 Mobile can be transported by anyone with a standard driving license - still performing:
- High capacity
- Easy maintenance
- High-quality wood chips
- Compact machine with wide foldable funnel ensuring visibility and optimized working conditions.



HOMOLOGATION/APPROVALS/STANDARDS

- The hot-dip galvanized trailer and chassis from ALKO
- Trailer includes overrun brake
- The chipper is supplied with a Certificate of Conformity to show that they are fully homologated and compliant with the European Directive 2007/46/EC
- The wood chipper comply with all existing safety standards (EN 13525)

TP 175^V TRACK

BIGGER, STRONGER, LIGHTER

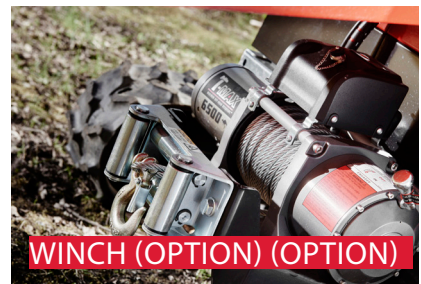


INCREASED SECURITY AND COMFORT WITH SCANRECO REMOTE CONTROL AS STANDARD



GROUND CLEARANCE

- ### HIGHLIGHTS 175 TRACK
- Track - 1090 kg
 - Remote Control (standard)
 - TP Vario Spout height-adjustable spout
 - TP Starter patented for easy and gentle start - prolongs engine lifetime
 - 1 tool - 2 blades - 3 minutes - easy and efficient change of knives
 - TP Opticut - 2 displaced blades - less vibrations - optimised fuel consumption
 - TP Twin Disc - double the discs - double the strength
 - TP Pilot - no stress control
 - TP Service Box - avoid down-time (option)
 - TP 3 year warranty opbevaringshøjde 190 c



WINCH (OPTION) (OPTION)



SAFETY IN MIND AT ALL TIMES

- TP E-STOP and additional optional safety kit consisting of either 2 or 4 E-STOP switches (located on the top and on the side of the funnel)
- By activation feed rollers stop rotating
- Ideal for rental/for unskilled employees



TP OPTICUT (2 displaced blades)

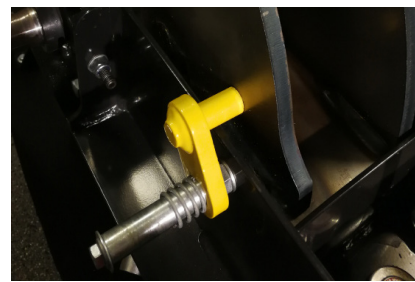
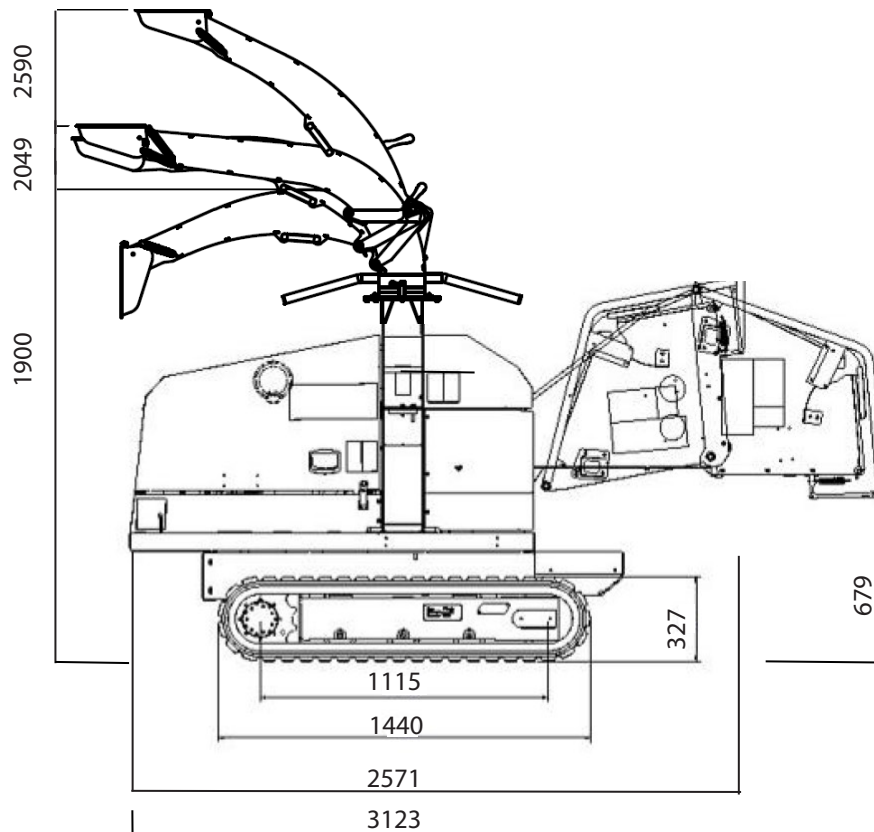
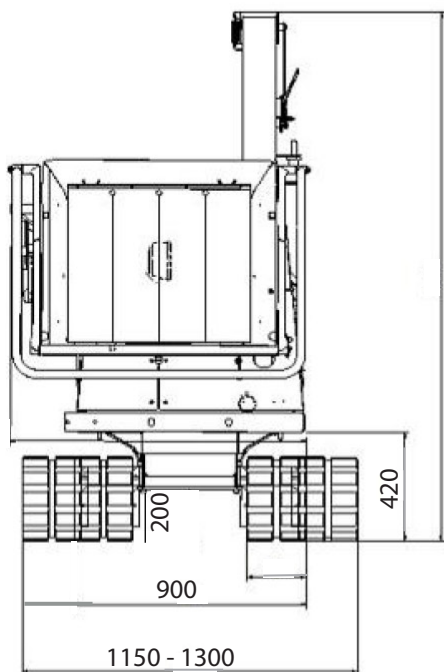
- two blades are displaced on the rotor disc (one close to the disc center/on close to the disc edge)
- Blades always engaging the tree
- Resulting in less vibration and steadier strain on the machine
- Optimized and lower fuel consumption
- A very uniform chip quality - suitable for mulching and heating purposes



TP VARIO SPOUT / FIXED SPOUT- FOR FLEXIBLE HIGH OUT-PUT

- TP VARIO SPOUT manually height-adjustable ejector spout (5 positions for chipping)
- TP FIXED SPOUT the cost-efficient spout (1 position for chipping and storing)





HORIZONTAL FEED ROLLERS/ ROLLER SPEED HYDRAULIC ADJUSTED

- Powerful infeed
- Two horizontal feed rollers (1 aggressive top roller with teeth and 1 bottom roller)
- Roller opening - 175 x 191 mm
- Hydraulic adjustment of rollers/chip size 4-12 mm

INTEGRATED HYDRAULICS

- Integrated hydraulic system with own pump, tank and filter
- Ensures correct pressure and oil level and minimizes the power consumption

SERVICE FRIENDLY LIKE NO OTHER

- The keep it simple machine construction not only has aesthetic benefits.
- Large clean surfaces that effectively protect the machine components,
- Provide a quick and easy access to daily maintenance, including the lubrication points.
- No need for special tools

ROTOR LOCK - CHANGING BLADES

- Rotor lock for safe and fast change of the blades
- Enables the user to open the machine in very few steps
- Using only one standard tool to change the 2 blades

TECHNICAL DATA

BIGGER, STRONGER, LIGHTER

TECHNICAL SPECIFICATIONS	TP 165 MOBILE P	TP 175 MOBILE	TP 175 MOBILE P	TP 175 TRACK
Max. wood diameter	175 mm	175 mm	175 mm	175 mm
Infeed opening HxW	175 x 191 mm	175 x 191 mm	175 x 191 mm	175 x 191 mm
Chipping principle	Disc chipper with TP TWIN DISC™ and TP OPTICUT™	Disc chipper with TP TWIN DISC™ and TP OPTICUT™	Disc chipper with TP TWIN DISC™ and TP OPTICUT™	Disc chipper with TP TWIN DISC™ and TP OPTICUT™
In feed angle	Parallel to driving direction	Parallel to driving direction	Parallel to driving direction	Parallel to driving direction
Feed rollers	2 horizontal	2 horizontal	2 horizontal	2 horizontal
Disc diameter	599 mm	599 mm	599 mm	599 mm
Disc weight	69 kg	69 kg	69 kg	69 kg
Disc rpm	1450 rpm	1720 rpm	1720 rpm	1720 rpm
Number of blades	2	2	2	2
Counter steel	1 horizontal and 1 vertical	1 horizontal and 1 vertical	1 horizontal and 1 vertical	1 horizontal and 1 vertical
Chip size	8 mm	4 - 12 mm	4 - 12 mm	4 - 12 mm
Engine	Kohler Pro CH 732	Kubota D1305-E4B Stage V	B&S EFI Vanguard	Kubota D1305-E4B Stage V
Fuel	Petrol	Diesel	Petrol	Diesel
Transmission	Clutch	TP Starter	TP Starter	TP Starter
Engine power	23,5 hp / 17 kW	25 hp / 18,5 kW	37 hp / 27 kW	25 hp / 18,5 kW
Fuel Capacity	25 litre plastic fuel tank	20 litre plastic fuel tank	20 litre plastic fuel tank	20 litre plastic fuel tank
Capacity	Up to 8 m ³ /h	Up to 10 m ³ /h	Up to 10 m ³ /h	Up to 10 m ³ /h
Weight	680 kg	740 kg	701 kg	1090 kg
Height (operation)	Fixed ejector spout: 1995 mm TP VARIO SPOUT: 1750 mm (1965 mm - 2440 mm)	Fixed ejector spout: 1995 mm TP VARIO SPOUT: 1750 mm (1965 mm - 2440 mm)	Fixed ejector spout: 1995 mm TP VARIO SPOUT: 1750 mm (1965 mm - 2440 mm)	Fixed ejector spout: 2049 mm TP VARIO SPOUT: 1900 mm (2115 mm - 2590 mm)
Height (storage)	1750 mm	1750 mm	1750 mm	1900 mm
Length (operation)	3515 mm (4013 mm)	3515 mm (4013 mm)	3515 mm (4013 mm)	2571 mm (3123 mm)
Width	1416 mm	1416 mm	1416 mm	1150 mm
Ground clearance	-	-	-	200 mm
Consumption 1h	5 l	3 l	9 l	3 l

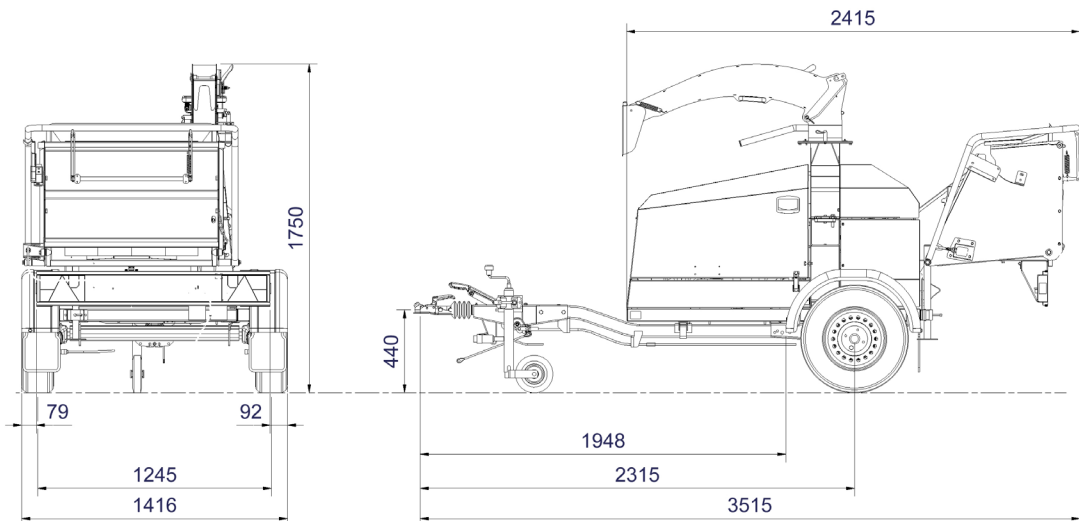
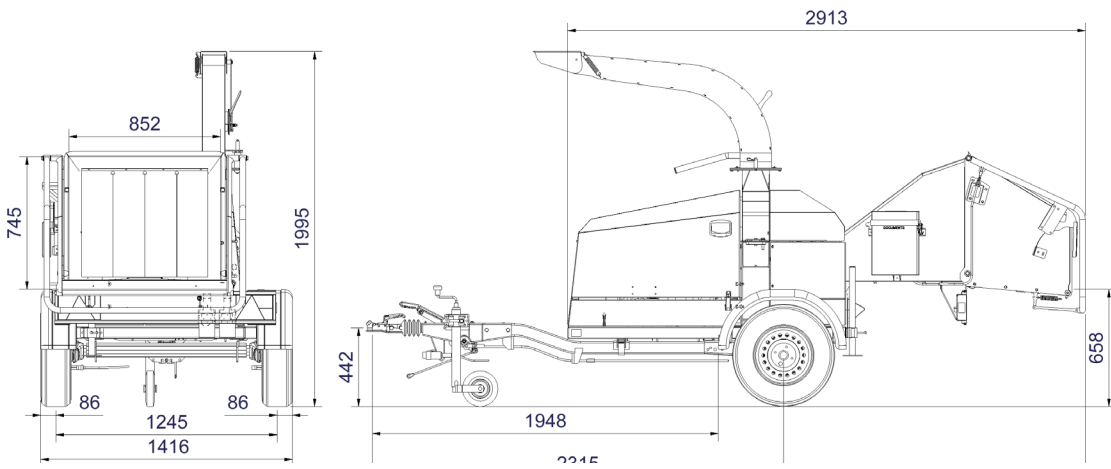
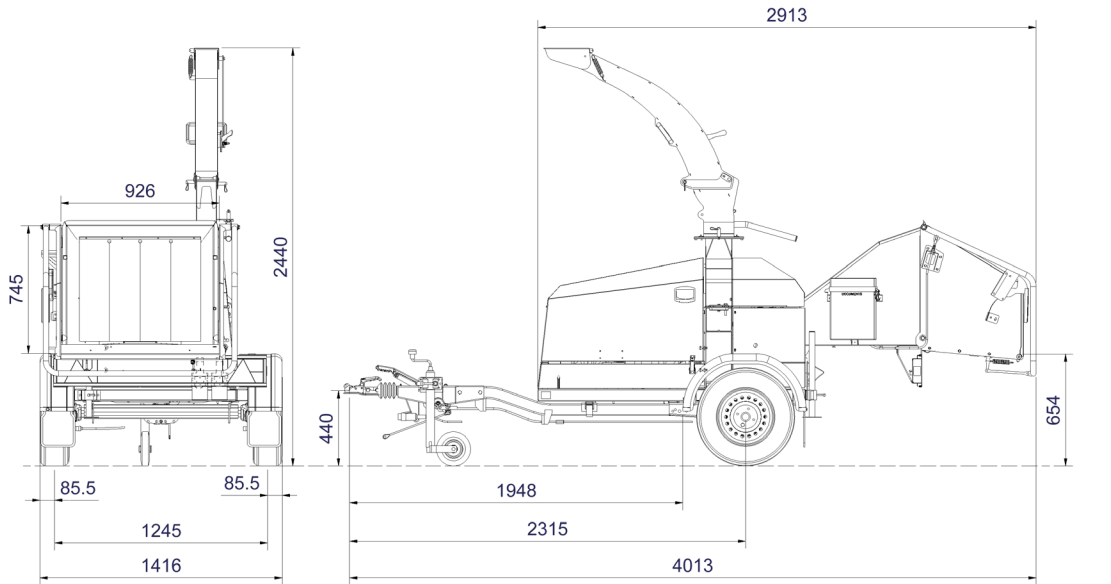


WE STAND BY OUR PRODUCTS

- 3-year (or 1000 hours) TP WARRANTY
- Includes engine and rotor
- Wear parts not included

DIMENSIONS

BIGGER, STRONGER, LIGHTER





– RELIABLE
WOOD
CHIPPING

LINDDANA A/S

Linddana A/S
Ølholm Bygade 70
7160 Tørring, Denmark

T +45 75 80 52 00
tp@linddana.com
www.linddana.com

Telephone and opening hours (CET)

Monday - Thursday 8.00-16.00

Friday 8.00-15.30

Spare Parts

Monday - Thursday 7.30-15.00

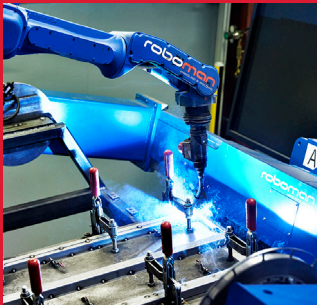
Fredag 7.30-14.00

WOOD CHIPPERS SINCE 1980

Linddana has designed, manufactured and marketed TP Wood Chippers since 1980. Today, this Danish company is one of the world leaders in its field. Linddana supplies a strong selection of functional and reliable wood chippers for landscaping and biomass production.

TECHNOLOGY AND PEOPLE

Linddana's strong international position is founded on extensive technical expertise and a commitment to high quality, both in the selection of materials and in manufacturing processes. By combining skilled workmanship and using the latest manufacturing technology, we maintain the highest quality standards.



Dealer

RELIABLE
WOOD
CHIPPING